

Model 7101A Accelerometer



IEPE Accelerometer
Wide Bandwidth to 10kHz
M3 Side Connector
Miniature, Lightweight (2.4gm)



The **Model 7101A** is a miniature, high performance IEPE accelerometer available in $\pm 50g$ to $\pm 1000g$ dynamic ranges. The accelerometer is designed for high frequency vibration and shock measurements and offers a wide bandwidth to $>10kHz$ utilizing stable piezo-ceramic crystals in annular shear mode. The model 7101A features a hermetically sealed titanium housing and the popular through hole mount configuration. The standard operating temperature range extends from $-55^{\circ}C$ to $+125^{\circ}C$.

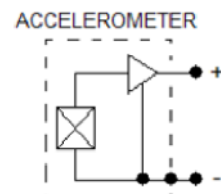
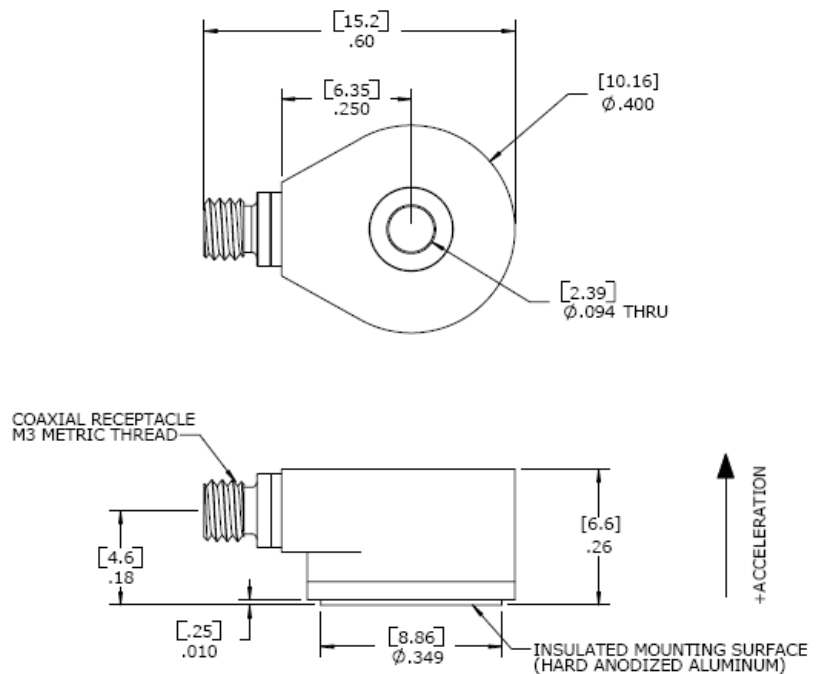
FEATURES

- $\pm 50g$ to $\pm 1000g$ Dynamic Range
- Wide bandwidth up to 10kHz
- Welded Construction, Titanium
- Hermetically Sealed
- Annular Shear Mode
- Stable Temperature Response
- Miniature, Through-Hole Mount

APPLICATIONS

- Vibration & Shock Monitoring
- Laboratory Testing
- Modal Applications
- High Frequency Applications
- General Purpose Usage

dimensions



Model 7101A Accelerometer

performance specifications

All values are typical at +24°C, 100Hz and 4mA excitation unless otherwise stated. Measurement Specialties reserves the right to update and change these specifications without notice. Standard product parameters are described in PSC-1003 for Plug & Play AC Accelerometers.

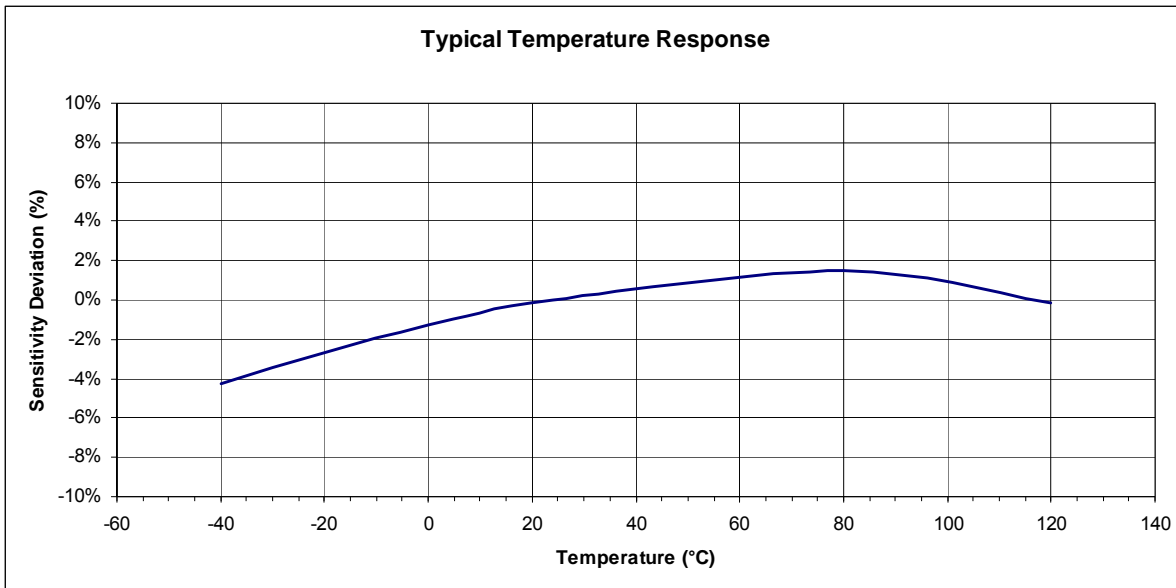
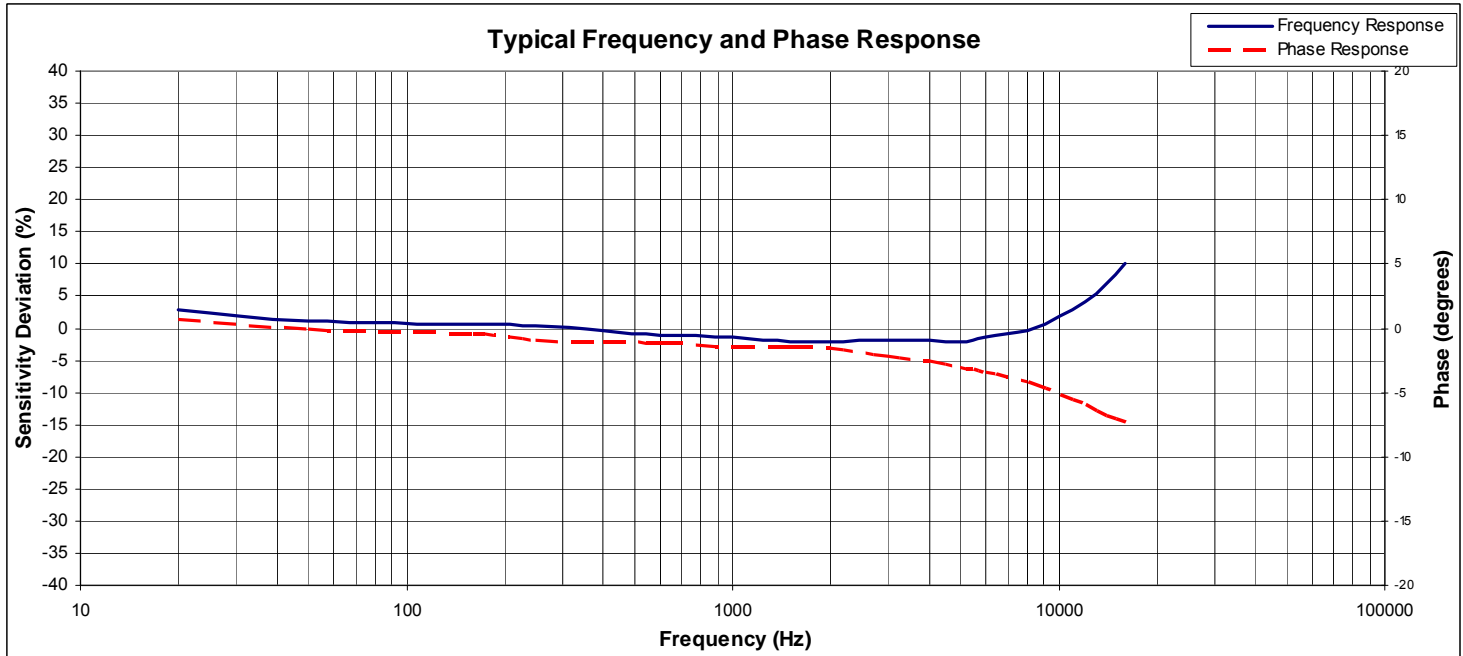
Parameters

				Notes
DYNAMIC				
Range (g)	±50	±500	±1000	
Sensitivity (mV/g)	100	10	5	±10%
Frequency Response (Hz)	1-8000	1-8000	1-8000	±5%
Frequency Response (Hz)	0.5-10000	0.5-10000	0.5-10000	±1dB
Natural Frequency (Hz)	>50000	>50000	>50000	
Non-Linearity (%FSO)	±1	±1	±1	
Transverse Sensitivity (%)	<5	<5	<5	
Shock Limit (g)	5000	5000	5000	
ELECTRICAL				
Compliance Voltage (Vdc)	18 to 30	18 to 30	18 to 30	
Excitation Current (mA)	2 to 10	2 to 10	2 to 10	
Bias Voltage (Vdc)	8 to 12	8 to 12	8 to 12	Room Temperature
Bias Voltage (Vdc)	6 to 14	6 to 14	6 to 14	-55 to +125°C
Output Impedance (Ω)	<100	<100	<100	
Full Scale Output Voltage (V)	±5	±5	±5	
Residual Noise (g RMS)	0.0004	0.0008	0.001	Broadband 1Hz to 10kHz
Discharge Time Constant (sec)	0.8 to 1.2			
Ground Isolation	Isolated from Mounting Surface			
ENVIRONMENTAL				
Temperature Response (%)	See Typical Temperature Response Curve			
Operating Temperature (°C)	-55 to +125			
Storage Temperature (°C)	-55 to +125			
Humidity	Hermetically Sealed			
PHYSICAL				
Sensing Element	Ceramic (shear mode)			
Case Material	Titanium			
Electrical Connector	M3 Coaxial Receptacle			
Weight (grams)	2.4			
Mounting	#2-56 Insulated Mounting Screw (included)			
Mounting Torque	5 lb-in (0.6 N-m)			
Calibration supplied:	CS-FREQ-0100	NIST Traceable Amplitude Calibration from 20Hz to ±1dB Frequency Response Limit		
Supplied accessories:	AC-A03230	1x #2-56 Insulated Mounting Screw Assembly (7/16 inch length)		
Optional accessories:	311-XXX	Cable Assembly, M3 to BNC (XXX designates length in inches, 10ft standard)		

The information in this sheet has been carefully reviewed and is believed to be accurate; however, no responsibility is assumed for inaccuracies. Furthermore, this information does not convey to the purchaser of such devices any license under the patent rights to the manufacturer. Measurement Specialties, Inc. reserves the right to make changes without further notice to any product herein. Measurement Specialties, Inc. makes no warranty, representation or guarantee regarding the suitability of its product for any particular purpose, nor does Measurement Specialties, Inc. assume any liability arising out of the application or use of any product or circuit and specifically disclaims any and all liability, including without limitation consequential or incidental damages. Typical parameters can and do vary in different applications. All operating parameters must be validated for each customer application by customer's technical experts. Measurement Specialties, Inc. does not convey any license under its patent rights nor the rights of others.

Model 7101A Accelerometer

performance specifications



ordering info

PART NUMBERING Model Number+Range

7101A-GGGG

I_____ Range (0050 is 50g)

Example: 7101A-0050
Model 7101A, 50g

北京汇润科贸有限公司

电话：+86 010 5601 8989

+86 010 5601 7979

传真：+86 010 5885 7266

邮箱：sales@aq315.com

<http://www.aq315.com>