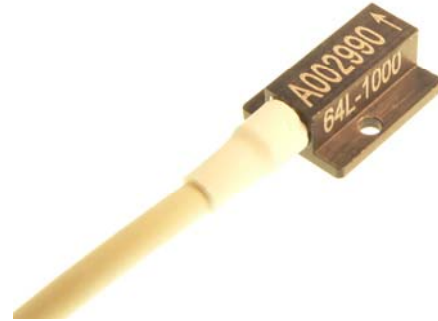


# Model 64L Accelerometer

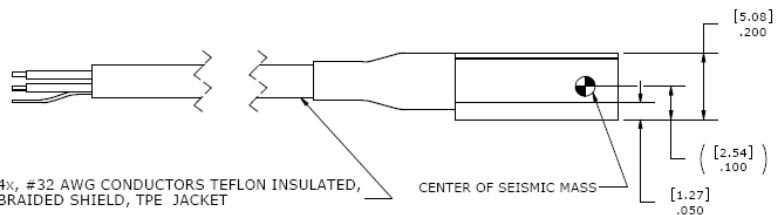
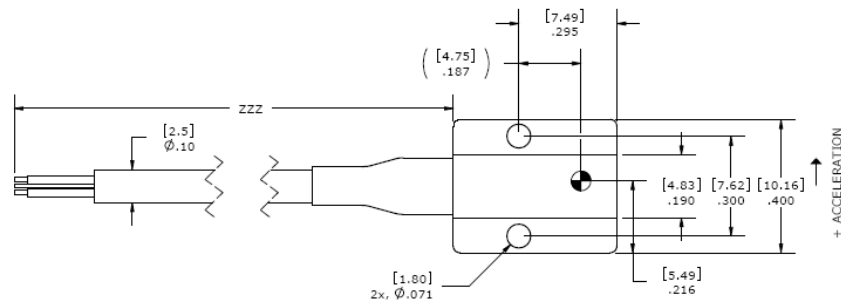


DC Response Accelerometer  
Durable Cable, Small Package  
Transverse Sensitive Axis  
Reliable Performance

**The Model 64L Accelerometer** is based on an advanced piezoresistive MEMS sensing element which offers exceptional dynamic range and stability. This unit features a full bridge output configuration with a temperature range from 0 to +50° C. A slight amount of internal gas damping provides outstanding shock survivability and a flat amplitude/phase response up to >4kHz. The Model 64L is compliant with SAE J211 standards for anthropomorphic dummy instrumentation.



## dimensions

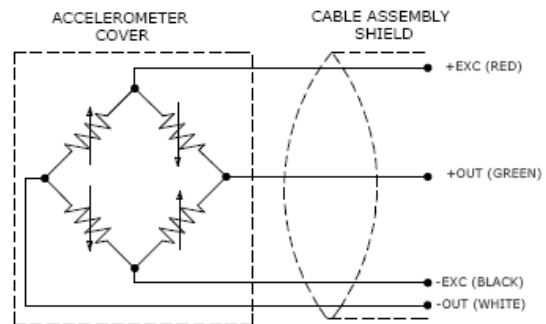


## FEATURES

- 3rd GEN MEMS Sensing Element
- ± 50 to ±6,000 g Ranges
- 2-10 Vdc Excitation Voltage
- 0-50 °C Temperature Range
- High Impact Jacketed Cable
- 1% Transverse Sensitivity Option
- <± 25 mV Zero Offset

## APPLICATIONS

- Safety Crash Testing
  - Auto
  - Truck
  - Recreational Vehicles
- Shock Testing



# Model 64L Accelerometer

## performance specifications

All values are typical at  $\pm 24^{\circ}\text{C}$ , 100 Hz and 10 Vdc excitation unless otherwise stated. Measurement Specialties reserves the right to update and change these specifications without notice. Standard product parameters are described in PSC-1004 for Plug & Play DC Accelerometers.

Parameters							Notes
<b>DYNAMIC</b>							
Range(g)	$\pm 50$	$\pm 100$	$\pm 200$	$\pm 500$	$\pm 2000$	$\pm 6000$	
Sensitivity (mV/g) <sup>1</sup>	2	0.9	0.8	0.4	0.15	0.10	
Frequency Response (Hz)	0-400	0-500	0-500	0-600	0-2000	0-2000	$\pm 2\%$
	0-1000	0-1200	0-1200	0-1400	0-3500	0-3500	$\pm 1/2\text{dB}$
	0-1400	0-1500	0-1500	0-2000	0-4500	0-4500	$\pm 1\text{dB}$
Resonant Frequency (Hz)	4000	6000	8000	15000	26000	26000	
Damping Ratio	0.5	0.5	0.5	0.3	0.05	0.05	Typical
Shock Limit (g)	10000	10000	10000	10000	10000	10000	
Non-Linearity (% of reading)	$\pm 1$	$\pm 1$	$\pm 1$	$\pm 1$	$\pm 1$	$\pm 1$	
Transverse Sensitivity (%)	<3	<3	<3	<3	<3	<3	<1% Option
<b>ELECTRICAL</b>							
Zero Acceleration Output (mV)	< $\pm 25$						< $\pm 10\text{mV}$ Option
Excitation (Vdc)	2 to 10						
Input Resistance ( $\Omega$ )	2400-6000						
Output Resistance ( $\Omega$ )	2400-6000						
Insulation Resistance (M $\Omega$ )	>100						@50Vdc
Residual Noise ( $\mu\text{V RMS}$ )	<10						
Ground Isolation	Isolated from mounting surface						
<b>ENVIRONMENTAL</b>							
Thermal Zero Shift (%FSO/ $^{\circ}\text{C}$ )	$\pm 0.04$						From 0 to $+50^{\circ}\text{C}$
Thermal Sensitivity Shift (%/ $^{\circ}\text{C}$ )	$\pm 0.1$						From 0 to $+50^{\circ}\text{C}$
Operating Temperature ( $^{\circ}\text{C}$ )	-40 to +121						
Storage Temperature ( $^{\circ}\text{C}$ )	-40 to +121						
Humidity	Epoxy Sealed, IP61						
<b>PHYSICAL</b>							
Case & Cover Material	Anodized Aluminum						
Cable (Integral 30 Foot Cable)	4x #32 AWG Conductors Teflon Insulated, Braided Shield, TPE Jacket						
Weight (grams)	1.0						
Mounting	2x #0-80 x 3/16" Socket Head Cap Screws						
							Cable Not Included Torque 3 lb-in
<sup>1</sup> Output is ratiometric to excitation voltage							
<b>Calibration supplied:</b>	CS-FREQ-0100	NIST Traceable Amplitude Calibration from 20Hz to $\pm 1\text{dB}$ Frequency Limit					
<b>Supplied accessories:</b>	AC-A02053	2x #0-80 (3/16 length) Socket Head Cap Screw, 2x #0 Washer, 1x Allen Key					
<b>Optional accessories:</b>	101	Three Channel DC Signal Conditioner Amplifier					
	140	Auto-Zero Inline Amplifier					

The information in this sheet has been carefully reviewed and is believed to be accurate; however, no responsibility is assumed for inaccuracies. Furthermore, this information does not convey to the purchaser of such devices any license under the patent rights to the manufacturer. Measurement Specialties, Inc. reserves the right to make changes without further notice to any product herein. Measurement Specialties, Inc. makes no warranty, representation or guarantee regarding the suitability of its product for any particular purpose, nor does Measurement Specialties, Inc. assume any liability arising out of the application or use of any product or circuit and specifically disclaims any and all liability, including without limitation consequential or incidental damages. Typical parameters can and do vary in different applications. All operating parameters must be validated for each customer application by customer's technical experts. Measurement Specialties, Inc. does not convey any license under its patent rights nor the rights of others.

## ordering info

PART NUMBERING Model Number+Range+Excitation+Cable Length+Options  
 64L-GGGG-CCCT-ZZZ  
 | | | | Options  
 | | | 1% Transverse Sensitivity when "T" is present.  
 | | Cable (360 is 360 inches)  
 | Range (0100 is 100 g)

Example: 64L-2000-360  
 Model 64L, 2000g, 10V Excitation, 360" (30ft) Cable, No Options.

北京汇润科贸有限公司  
 电话 : +86 010 5601 8989  
 +86 010 5601 7979  
 传真 : +86 010 5885 7266  
 邮箱 : [sales@aq315.com](mailto:sales@aq315.com)