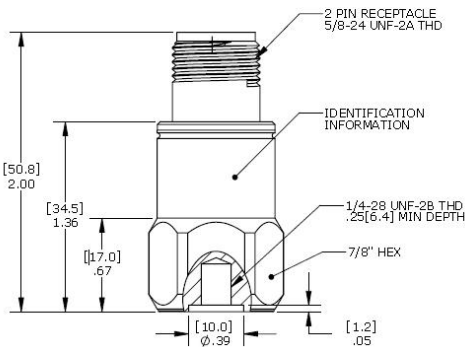
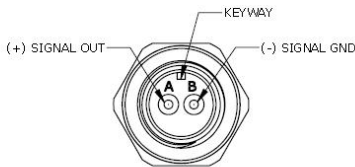


RMS output accelerometer



Features

- 4~20mA output
- Wide frequency response
- Rugged design
- Hermetic seal
- Case isolated
- ESD protection
- Reverse wiring protection
- EMI / RFI shielded



Dynamic

Sensitivity, $\pm 10\%$, 25°C.....	0.08 mA/g
Acceleration range	200 g Peak
Amplitude nonlinearity.....	1%
Frequency response:	
$\pm 10\%$	3 - 5,000 Hz
± 3 dB.....	1 - 10,000 Hz
Resonance frequency.....	32 kHz
Transverse sensitivity, max.....	5% of axial
Temperature response:	
-50°C.....	-10%
+120°C.....	+10%

Electrical

Power requirement: voltage source	18 - 30 VDC
Output impedance, max.....	100 Ω
Bias Current $\pm 10\%$	4 mA
Grounding.....	Case isolated, Internally shielded

Environmental

Temperature range.....	-50 to 85°C
Vibration limit.....	500 g peak
Shock limit.....	5,000 g peak
Electromagnetic sensitivity, equiv g, max	70 $\mu\text{g/gauss}$
Sealing	Hermetic
Base strain sensitivity, max.....	0.0002 g/ μstrain

Physical

Sensing element design.....	PZT ceramic/shear
Weight.....	80 grams
Case material.....	316L stainless steel
Mounting.....	1/4 - 28 UNF
Output connector.....	2 pin, MIL-C-5015
Recommended cabling.....	16A

Accessories

1/4-28 to M6 mounting stud (or customers specified)

Calibration certificate

Note: Frequency response limits spectral and noise values are typical

Ordering Information

