

Velocity output transmitter



Features

- 4~20mA output
- Wide frequency response
- Rugged design
- High sensitivity
- Hermetic seal
- Case isolated
- ESD protection
- Reverse wiring protection

Dynamic

FSO, ±10%, 25°C.....	16 mA
Acceleration range	50mm/s RMS
Amplitude nonlinearity.....	1%
Frequency response:	
±1 dB.....	3 - 1,000 Hz
Resonance frequency.....	32 kHz
Transverse sensitivity, max.....	5% of axial
Temperature response:	
-50°C.....	-10%
+120°C.....	+10%

Electrical

Power requirement: voltage source	12 - 30 VDC
Electrical noise, Broadband Spectral(g):	
2.5 Hz to 25 kHz.....	0.26mm/s RMS
Electrical Isolation (Case).....	100 MΩ
Bias Current ±10%.....	4 mA
Settling Time (within 2%of value).....	<15 s
Grounding.....	case isolated, Internally shielded

Environmental

Temperature range.....	-40 to 85°C
Vibration limit.....	500 g peak
Shock limit.....	5,000 g peak
Electromagnetic sensitivity, equiv g, max	70 µg/gauss
Sealing	Hermetic
Base strain sensitivity, max.....	0.0002 gµstrain

Physical

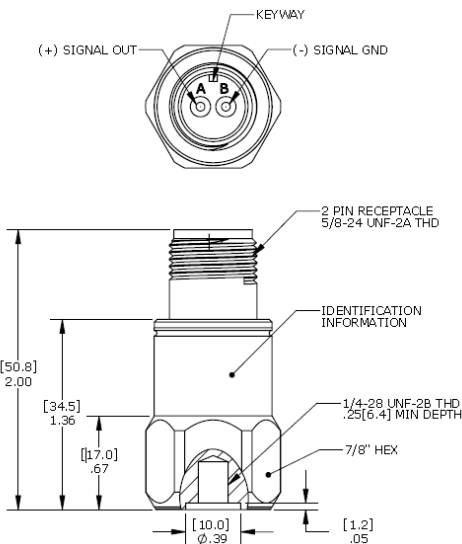
Sensing element design.....	PZT ceramic/shear
Weight.....	80 grams
Case material.....	316L stainless steel
Mounting.....	1/4 - 28 UNF
Output connector.....	2 pin, MIL-C-5015
Mating connector.....	R6 type
Recommended cabling.....	J10 / J9T2A

Accessories

1/4-28 to M6 mounting stud (or customers specified)

Calibration certificate

Note: Frequency response limits spectral and noise values are typical



Ordering Information

