



## RMS output accelerometer with lightning protection

### Dynamic

FSO, ±10%, 25°C.....	16 mA
Acceleration range .....	50 g RMS
Amplitude nonlinearity.....	1%
Frequency response:	
± 10%.....	3 - 5,000 Hz
± 3 dB.....	1 - 10,000 Hz
Resonance frequency.....	32 kHz
Transverse sensitivity, max.....	5% of axial
Temperature response:	
-50°C.....	-10%
+85°C.....	+10%

### Electrical

Power requirement: voltage source .....	18 - 30 VDC
Electrical noise, Broadband Spectral(g):	
3 Hz to 10 kHz.....	50mg RMS
Load Resistance.....	50(Vs-12) Ω
Bias output current.....	4 mA
Grounding.....	case isolated, Internally shielded

### Environmental

Temperature range.....	-50 to 85°C
Vibration limit.....	500 g peak
Shock limit.....	5,000 g peak
Electromagnetic sensitivity, equiv g, max .....	70 µg/gauss
Sealing .....	Hermetic
Base strain sensitivity, max.....	0.0002 g/µstrain

### Physical

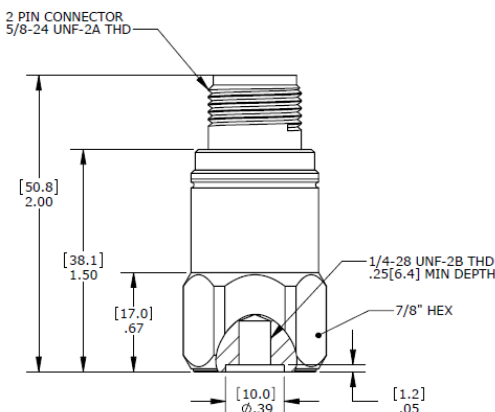
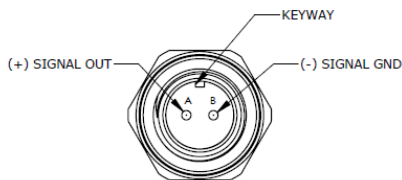
Sensing element design.....	PZT ceramic/shear
Weight.....	80 grams
Case material.....	304L stainless steel
Mounting.....	1/4 - 28 UNF
Output connector.....	2 pin, MIL-C-5015
Mating connector.....	R6 type
Recommended cabling.....	J10 / J9T2A

### Accessories

- 1/4-28 to 1/4-28 mounting stud (or customers specified)
- Calibration certificate

### Features

- 4~20mA output
- Corrosion resistant
- Hermetic seal
- Case isolated
- ESD protection
- Reverse wiring protection



### Ordering Information

