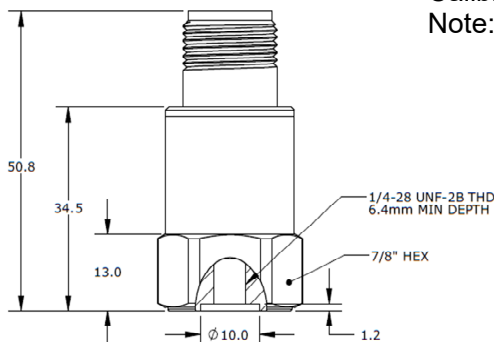
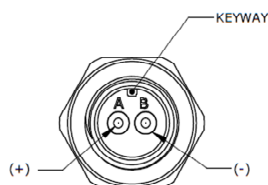


Velocity transmitter



Features

- Rugged design
- High sensitivity
- Hermetic seal
- Case isolated
- ESD protection
- Reverse wiring protection
- EMI / RFI shielded



Dynamic

Sensitivity, $\pm 10\%$, 25°C	3.9 mV/(mm/s)
Acceleration range	1270mm/s Peak
Amplitude nonlinearity.....	1%
Frequency response:	
±1 dB.....	3 - 3,500 Hz
± 3 dB.....	2 - 6,000 Hz
Resonance frequency.....	32 kHz
Transverse sensitivity, max.....	5% of axial
Temperature response:	
-50°C.....	-10%
+120°C.....	+10%

Electrical

Power requirement: voltage source	18 - 30 VDC
current regulating diode	2 - 10 mA
Electrical noise, Broadband Spectral(g):	
2.5 Hz to 25 kHz.....	3 $\mu\text{m/s}$
Output impedance, max.....	100 Ω
Bias output voltage.....	12 VDC
Grounding.....	case isolated, Internally shielded

Environmental

Temperature range.....	-40 to 120°C
Vibration limit.....	500 g peak
Shock limit.....	5,000 g peak
Electromagnetic sensitivity, equiv g, max	70 $\mu\text{g/gauss}$
Sealing	Hermetic
Base strain sensitivity, max.....	0.0002 g/ μstrain

Physical

Sensing element design.....	PZT ceramic/shear
Weight.....	80 grams
Case material.....	316L stainless steel
Mounting.....	1/4 - 28 UNF
Output connector.....	2 pin, MIL-C-5015
Mating connector.....	R6 type
Recommended cabling.....	J10 / J9T2A

Accessories

1/4-28 to M6 mounting stud (or customers specified)

Calibration certificate

Note: Frequency response limits spectral and noise values are typical

Ordering Information

