

## Ex-ATEX applicable accelerometer

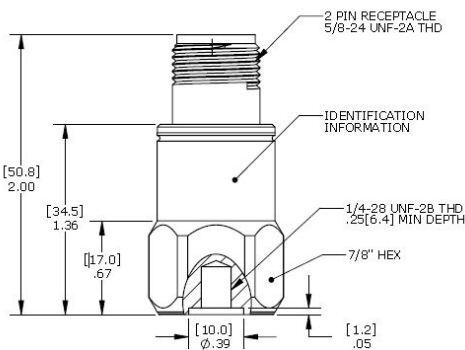
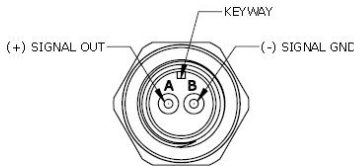


### Dynamic

Sensitivity, $\pm 10\%$ , 25°C.....	500 mV/g
Acceleration range .....	10 g peak
Amplitude nonlinearity.....	1%
Frequency response:	
± 5%.....	0.5 - 4,000 Hz
±1 dB.....	0.3 - 6,000 Hz
± 3 dB.....	0.1 - 10,000 Hz
Resonance frequency.....	24 kHz
Transverse sensitivity, max.....	5% of axial
Temperature response:	
-50°C.....	-5%
+120°C.....	+5%

### Features

- Ex-ATEX
- Low frequency response
- Rugged design
- High sensitivity
- Hermetic seal
- Case isolated
- ESD protection
- Reverse wiring protection



### Electrical

Power requirement: voltage source .....	18 - 30 VDC
current regulating diode .....	2 - 10 mA
Electrical noise, Broadband Spectral(g):	
2.5 Hz to 25 kHz.....	200 µg
10 Hz.....	4 µg/√Hz
100 Hz.....	2 µg/√Hz
1000 Hz.....	1 µg/√Hz
Output impedance, max.....	100 Ω
Bias output voltage.....	12 VDC
Grounding.....	case isolated, Internally shielded

### Environmental

Temperature range.....	-50 to 120°C
Vibration limit.....	100 g peak
Shock limit.....	2,000 g peak
Electromagnetic sensitivity, equiv g, max .....	70 µg/gauss
Sealing .....	Hermetic
Base strain sensitivity, max.....	0.0002 g/µstrain

### Physical

Sensing element design.....	PZT ceramic/shear
Weight.....	100 grams
Case material.....	304L stainless steel
Mounting.....	1/4 - 28 UNF
Output connector.....	2 pin, MIL-C-5015
Mating connector.....	R6 type
Recommended cabling.....	J10 / J9T2A

### Accessories

1/4-28 to 1/4-28 mounting stud (or customers specified)

Calibration certificate

Note: Frequency response limits spectral and noise values are typical

### Ordering Information

311A-10-LF

