

Side output industrial accelerometer



Features

- wide frequency response
- Rugged design
- High sensitivity
- Hermetic seal
- Case isolated
- ESD protection
- Reverse wiring protection
- EMI / RFI shielded

Dynamic

Sensitivity, $\pm 10\%$, 25°C	250 mV/g
Acceleration range	20 g peak
Amplitude nonlinearity.....	1%
Frequency response:	
$\pm 5\%$	1 - 7,000 Hz
± 1 dB.....	0.5 - 8,000 Hz
± 3 dB.....	0.3 - 10,000 Hz
Resonance frequency.....	32 kHz
Transverse sensitivity, max.....	5% of axial
Temperature response:	
-50°C	-10%
$+120^\circ\text{C}$	$+10\%$

Electrical

Power requirement: voltage source	18 - 30 VDC
current regulating diode	2 - 10 mA
Electrical noise, Broadband Spectral(g):	
2.5 Hz to 25 kHz.....	500 μg
10 Hz.....	10 $\mu\text{g}/\sqrt{\text{Hz}}$
100 Hz.....	5 $\mu\text{g}/\sqrt{\text{Hz}}$
1000 Hz.....	2.5 $\mu\text{g}/\sqrt{\text{Hz}}$
Output impedance, max.....	100 Ω
Bias output voltage.....	12 VDC
Grounding.....	case isolated, Internally shielded

Environmental

Temperature range.....	-50 to 120°C
Vibration limit.....	500 g peak
Shock limit.....	5,000 g peak
Electromagnetic sensitivity, equiv g, max	70 $\mu\text{g}/\text{gauss}$
Sealing	Hermetic
Base strain sensitivity, max.....	0.0002 g/ μstrain

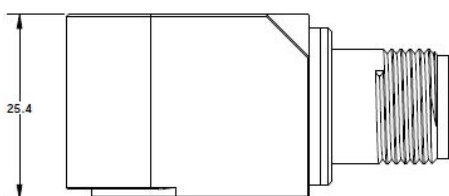
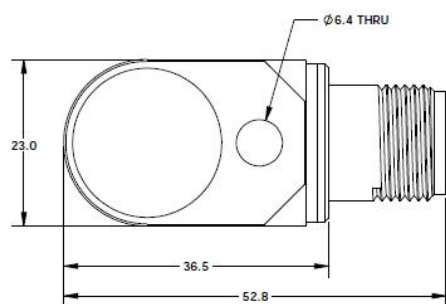
Physical

Sensing element design.....	PZT ceramic/shear
Weight.....	110 grams
Case material.....	304L stainless steel
Mounting.....	M6 mounting screw
Output connector.....	2 pin, MIL-C-5015
Mating connector.....	R6 type
Recommended cabling.....	16A

Accessories

- M6 mounting screw (or customers specified)
- Calibration certificate

Note: Frequency response limits spectral and noise values are typical



Ordering Information

340A-20

