

## High temperature application accelerometer



### Features

- Corrosion resistant
- Hermetic seal
- ESD protection

### Dynamic

|  |                 |
|--|-----------------|
| Sensitivity, $\pm 20\%$ , $25^{\circ}\text{C}$ ..... | 10 pC/g         |
| Acceleration range .....                             | 2000 g peak     |
| Amplitude nonlinearity.....                          | 1%              |
| Frequency response:                                  |                 |
| $\pm 5\%$ .....                                      | 3 - 5,000 Hz    |
| $\pm 1\text{dB}$ .....                               | 1 - 10,000 Hz   |
| $\pm 3\text{ dB}$ .....                              | 0.4 - 14,000 Hz |
| Resonance frequency.....                             | 32 kHz          |
| Transverse sensitivity, max.....                     | 5% of axial     |
| Temperature response:                                |                 |
| $-70^{\circ}\text{C}$ .....                          | -10%            |
| $+260^{\circ}\text{C}$ .....                         | +10%            |

### Electrical

|                            |               |
|----------------------------|---------------|
| Power requirement: .....   | Charge output |
| Output capacitor, max..... | 1100 pF       |
| Grounding.....             | case ground   |

### Environmental

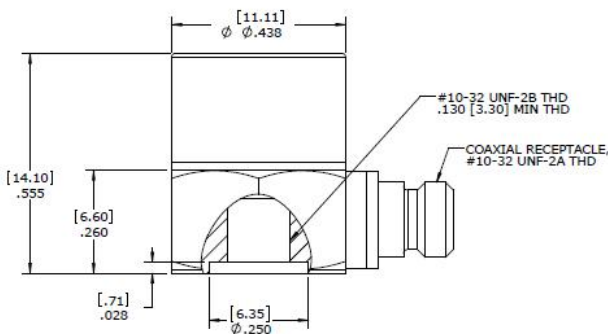
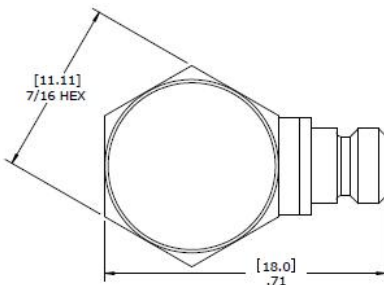
|   |                                |
|---|--------------------------------|
| Temperature range.....                          | $-70$ to $260^{\circ}\text{C}$ |
| Vibration limit.....                            | 2000 g peak                    |
| Shock limit.....                                | 5,000 g peak                   |
| Electromagnetic sensitivity, equiv g, max ..... | 70 $\mu\text{g/gauss}$         |
| Sealing .....                                   | Hermetic                       |
| Base strain sensitivity, max.....               | 0.0002 g/ $\mu\text{strain}$   |

### Physical

|                             |                        |
|-----------------------------|------------------------|
| Sensing element design..... | PZT ceramic/shear      |
| Weight.....                 | 12 grams               |
| Case material.....          | 304L stainless steel   |
| Mounting.....               | 10-32 UNF              |
| Output connector.....       | 10-32                  |
| Recommended cabling.....    | 10-32 to BNC low noise |

### Accessories

- 10-32 to 10-32 mounting stud (or customers specified)
- Calibration certificate



### Ordering Information

