

## High temperature application accelerometer



### Features

- Corrosion resistant
- Hermetic seal
- ESD protection

### Dynamic

Sensitivity, $\pm 20\%$ , $25^{\circ}\text{C}$ .....	6 pC/g
Acceleration range .....	5000 g peak
Amplitude nonlinearity.....	$\pm 1\%/1000\text{g}$
Frequency response:	
$\pm 10\%$ .....	1 - 4,000 Hz
$\pm 3\text{ dB}$ .....	0.3 - 6,000 Hz
Resonance frequency.....	32 kHz
Transverse sensitivity, max.....	5% of axial
Temperature response:	
$-70^{\circ}\text{C}$ .....	-10%
$+260^{\circ}\text{C}$ .....	+10%

### Electrical

Power requirement: .....	Charge output
Output capacitor, max.....	630 pF
Insulation(@100 Vdc).....	100 M $\Omega$
Grounding.....	case ground

### Environmental

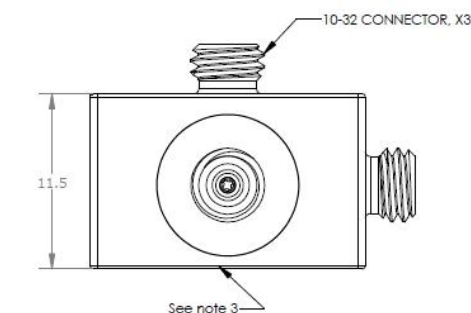
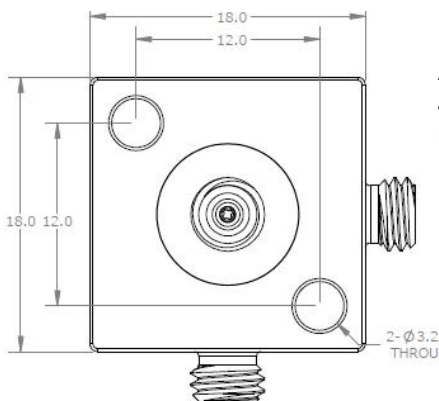
Temperature range.....	$-73$ to $260^{\circ}\text{C}$
Vibration limit.....	5000 g peak
Shock limit.....	10,000 g peak
Electromagnetic sensitivity, equiv g, max .....	70 $\mu\text{g/gauss}$
Sealing .....	Hermetic
Base strain sensitivity, max.....	0.0002 g/ $\mu\text{strain}$

### Physical

Sensing element design.....	PZT ceramic/shear
Weight.....	28 grams
Case material.....	Stainless steel
Mounting.....	4-40 screw(0.7NM)
Output connector.....	10-32
Recommended cabling.....	10-32 to BNC low noise

### Accessories

- 4-40 Socket head cap screws and washer
- Calibration certificate



### Ordering Information

