



## Miniature IEPE accelerometer

### Dynamic

Sensitivity, ±10%, 25°C.....	10 mV/g
Acceleration range .....	500 g peak
Amplitude nonlinearity.....	1%
Frequency response:	
± 10%.....	1 - 8000 Hz
± 3 dB.....	0.5 - 10000 Hz
Resonant frequency.....	48 kHz
Transverse sensitivity, max.....	5% of axial
Temperature response:	
-55°C.....	-10%
+125°C.....	+10%

### Electrical

Power requirement: voltage source .....	18 - 30 VDC
current regulating diode .....	2 - 10 mA
Electrical noise, Broadband Spectral (g):	
2 Hz to 20 kHz.....	3.2 mg
Output impedance, max.....	100 Ω
Bias output voltage.....	8 - 12 VDC
Grounding.....	Case grounded

### Environmental

Temperature range.....	-55 to 125°C
Vibration limit.....	1000 g peak
Shock limit.....	5000 g peak
Electromagnetic sensitivity, equiv g, max .....	90 µg/gauss
Sealing .....	Hermetic
Base strain sensitivity, max.....	0.0002 g/µstrain

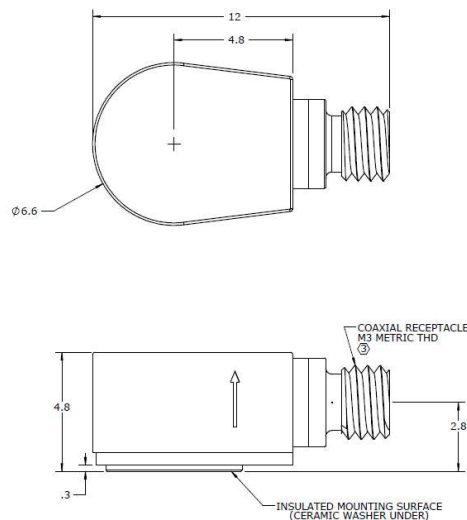
### Physical

Sensing element design.....	Ceramic/shear
Weight.....	0.9 grams
Case material.....	Titanium
Output connector.....	M3

### Accessories

- Mating cable with BNC output
- Calibration certificate

Note: Frequency response limits spectral and noise values are typical



### Ordering Information

