

Train body accelerometer



Features

- DC response
- 10 full scale
- Motion, low frequency, tilt
- Shock survivability
- Temperature compensation

Dynamic

FSO, $\pm 10\%$, 24°C.....	4~20 mA
Acceleration range(g)	10
Sensitivity(mA/g).....	0.8
Amplitude nonlinearity.....	1%
Frequency response(+/-5%).....	0 - 100 Hz
Transverse sensitivity, max.....	3% of axial

Electrical

Power requirement:	12 - 30 VDC
Zero current($\pm 5\%$).....	12mA
Residual noise, Broadband Spectral.....	2 μ ARMS
Output impedance.....	<100 Ω
Insulation resistance(@500VDC).....	>100 M Ω
Turn-on time.....	<100 mS

Environmental

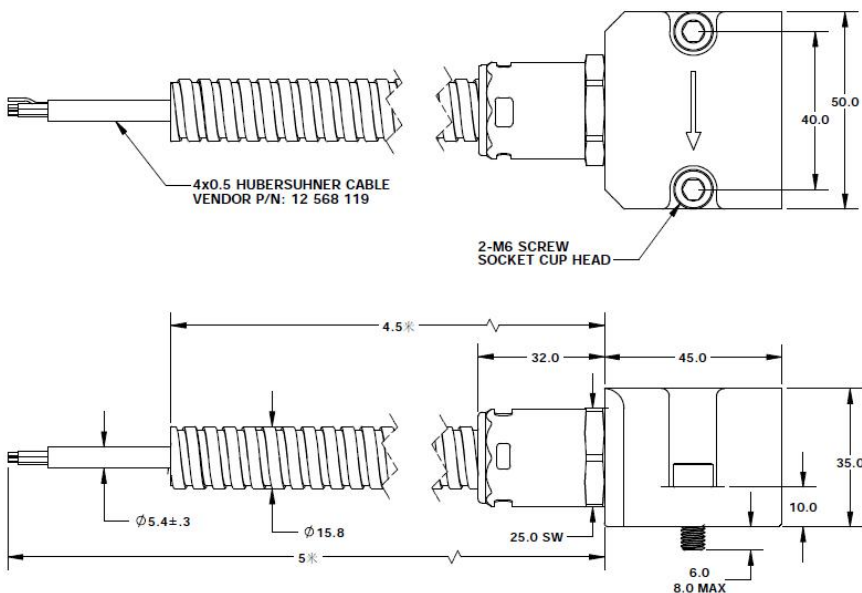
Temperature range.....	-45 to 85°C
Thermal zero shift(max. ref.24°C).....	$\pm 2.5\%$ FSO
Thermal sensitivity shift(max. ref.24°C).....	$\pm 3\%$
Vibration limit.....	100 g peak
Shock limit.....	1,000 g peak
Sealing	IP67

Physical

Sensing element.....	MEMS(VC)
Weight.....	160 grams
Case material.....	Anodized aluminum
Mounting.....	M6X16 Screws
Cable bending(with tube).....	25mm(R)
Output connector.....	Option

Accessories

- 2x M6 Screws (Mounting torque 0.7 Nm)
- 3 Meter mating cable(or customers specified)
- Calibration certificate



Ordering Information

