

Bi-axial Digital output accelerometer



Features

- High Resolution
- Rugged design
- Hermetic seal
- Case isolated
- ESD protection
- Plug and play application
- EMI / RFI shielded

Dynamic

Acceleration range	+/-8 g
Amplitude nonlinearity.....	1%
Frequency response $\pm 2\%$	0 - 100 Hz
Transverse sensitivity, max.....	3% of axial
Temperature response(-40 to +85°C, REF. 24°C):	
Thermal bias shift.....	$\pm 1\%$ FSO
Thermal sensitivity shift.....	$\pm 1\%$

Electrical

Power requirement.....	5 - 36 VDC
Startup time	< 1s

Environmental

Temperature range.....	-40 to 85°C
EMC.....	EN61000/GBT17626
Shock limit.....	Up to 1500g
Insolation.....	$\geq 100M$ ohms

Physical

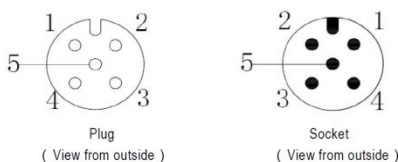
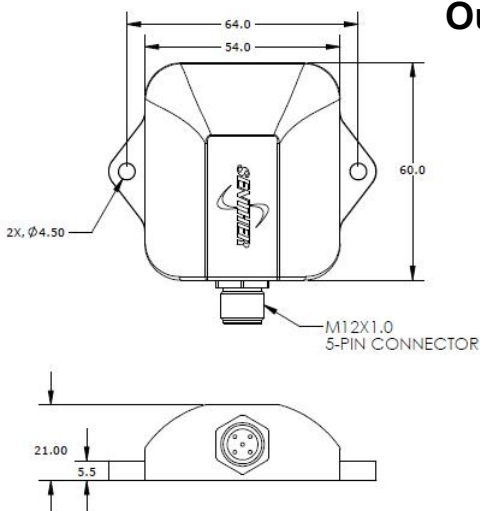
Protection.....	IP67
Weight(W/O cable).....	130 grams
Case material.....	Anodized aluminum
Mounting.....	M4X2
Output connector.....	5 pin, M12
Mating cable.....	Senther: 18A

Accessories

- Calibration certificate
- M4X10mm screw

Output type(Refer below table)

	Wire	Output interface Code X			
		A	B	C	D
		RS232	RS485	CAN	CANOpen
1	Red	Power+	Power+	Power+	Power+
2	Black	Power GND	Power GND	Power GND	Power GND
3	Blue	TXD	RS485-A	CAN_H	CAN_H
4	Brown	RXD	RS485-B	CAN_L	CAN_L
5	Green	Signal GND	Signal GND	Signal GND	Signal GND



Ordering Information

